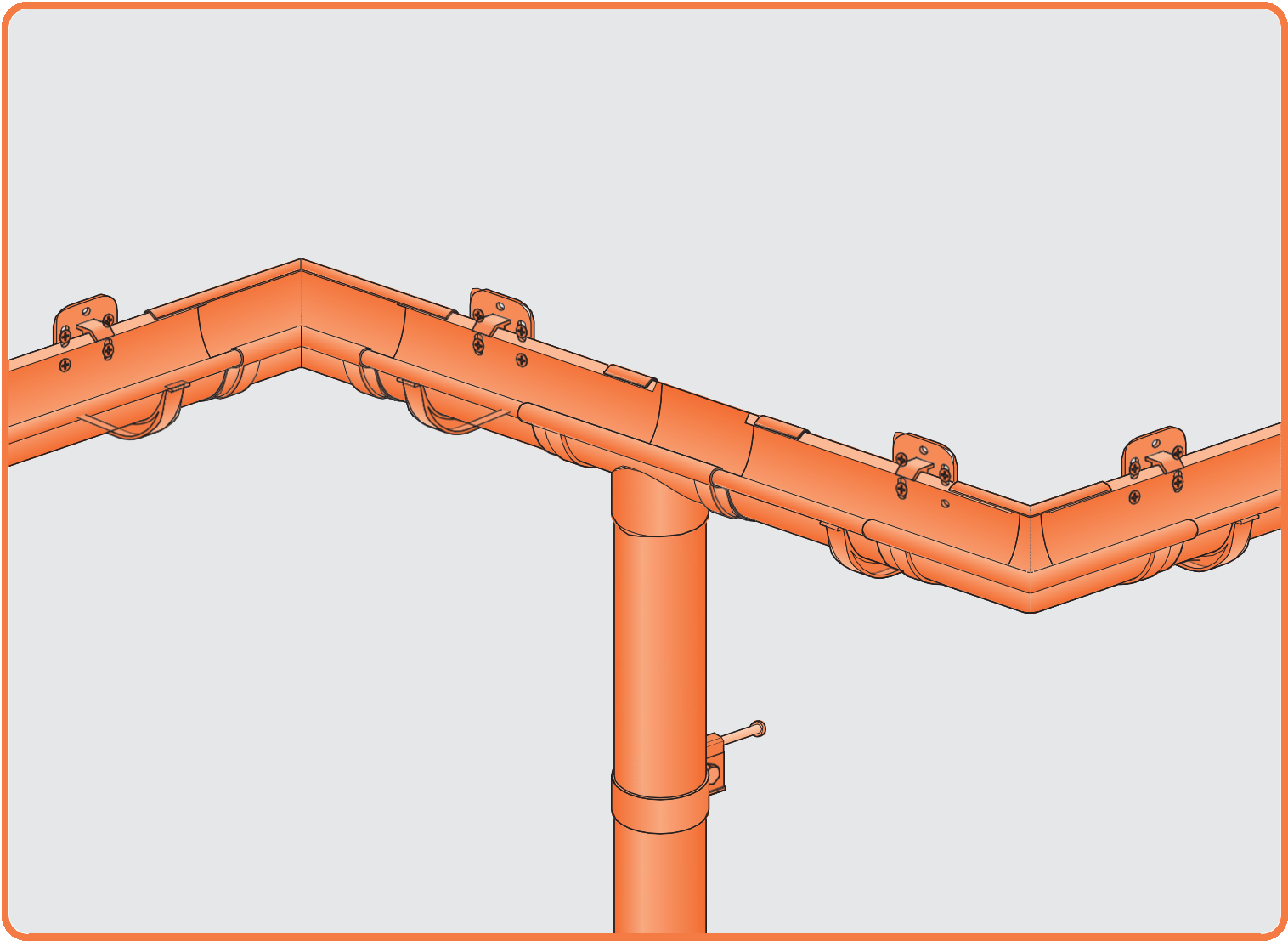
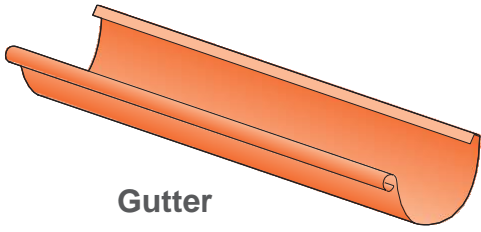


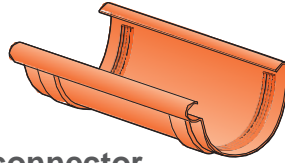
Installation manual, PVC gutter system



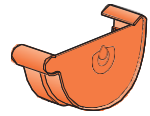
Description of the system components



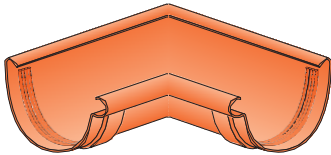
Gutter



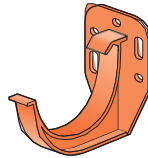
Gutter connector



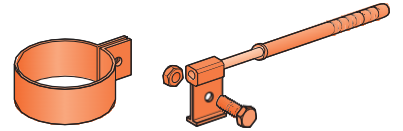
Bottom



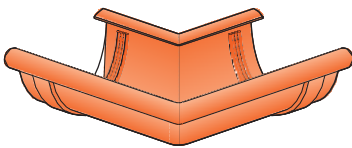
Inner corner



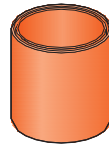
Rafter hook



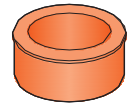
Pipe clamp



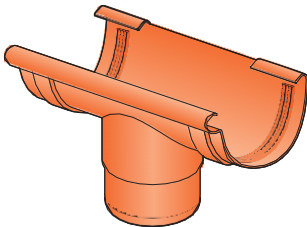
Outer corner



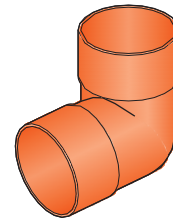
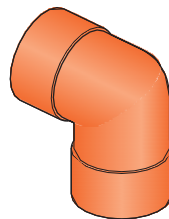
Pipe nipple



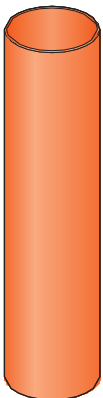
90/63 reduction



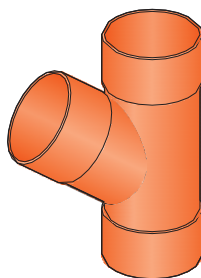
Funnel outlet



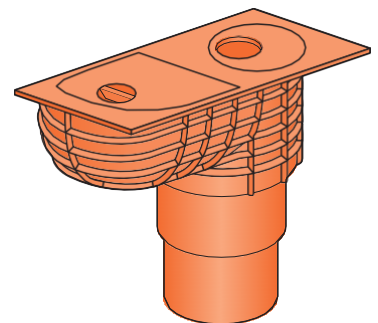
Elbow



Pipe



Tee

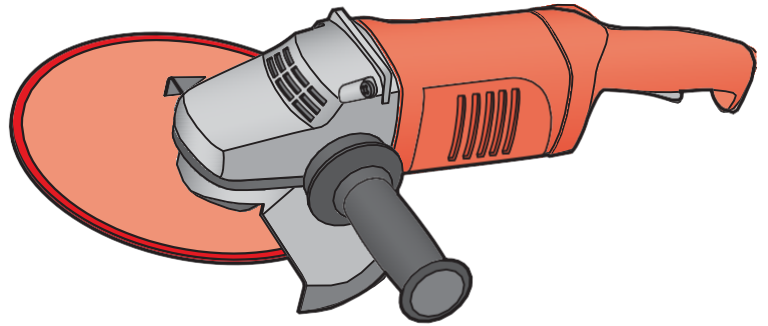


Settler / tank

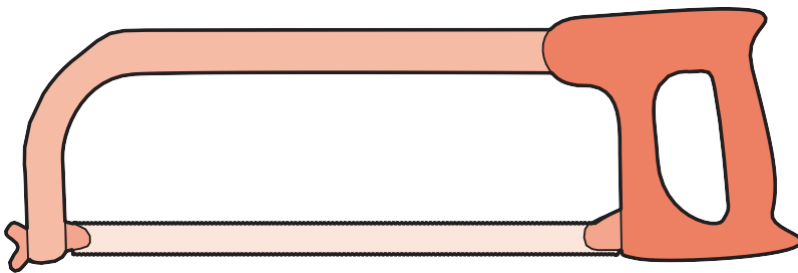
Assembly tools



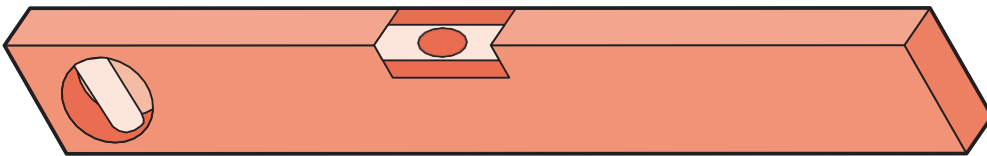
Screwdriver



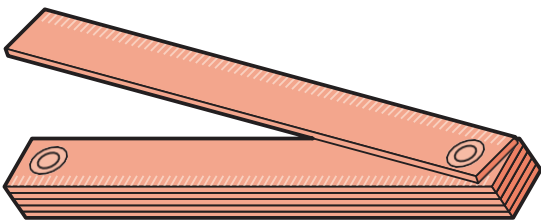
Angle grinder



Hacksaw



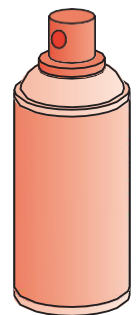
Spirit level



Measure



Pencil



Spray for seals

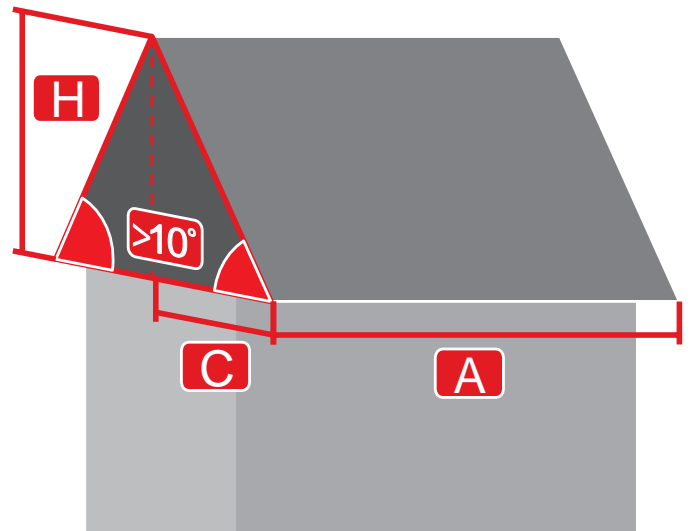
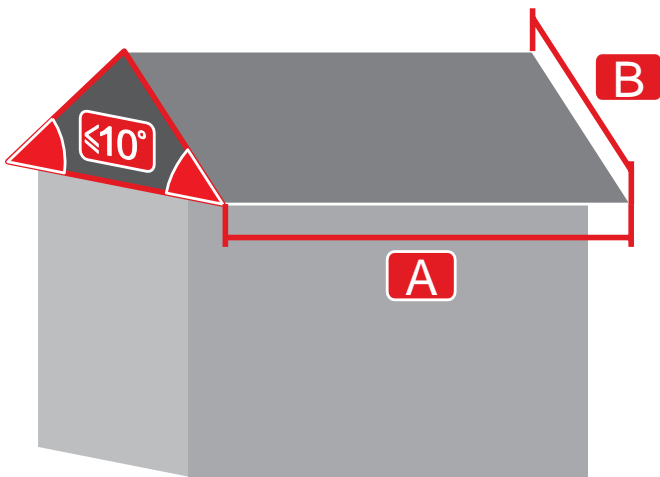


Installation should be performed at temperatures above 5° Celsius



1

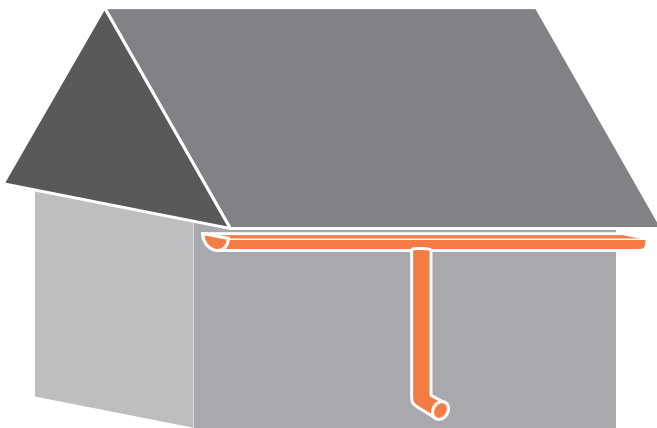
Roof measurement



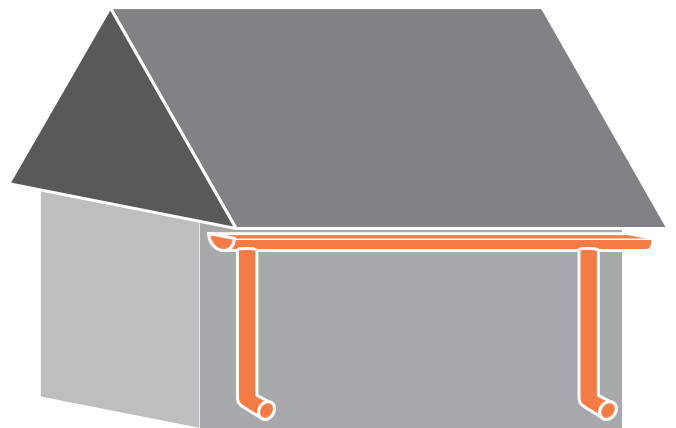
$$E_p = (C + H/2) \times A$$

2

System selection



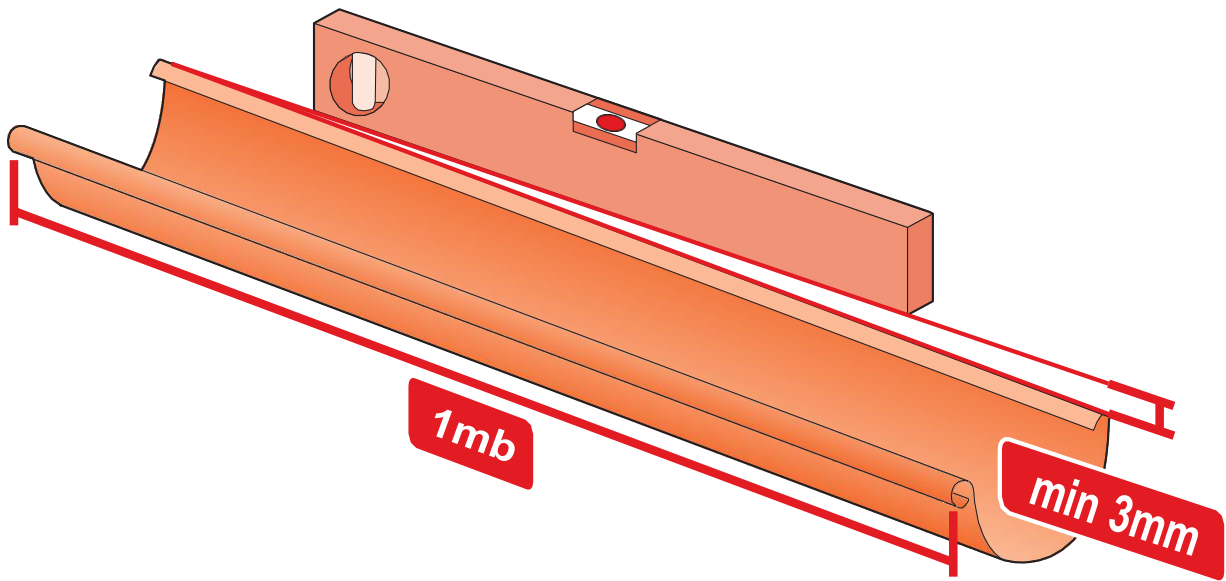
System 75/63 for $E_p \leq 100\text{m}^2$
System 130/90 for $E_p \leq 110\text{m}^2$



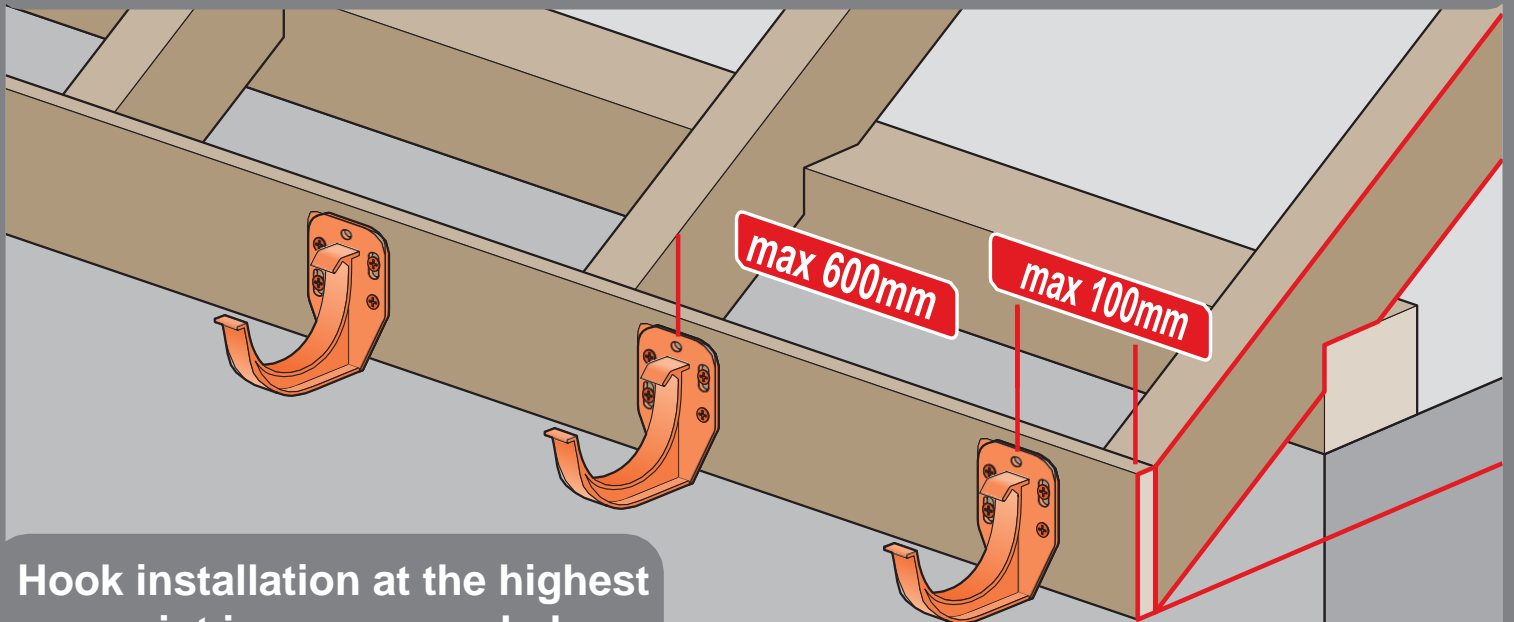
System 75/63 for $E_p \leq 200\text{m}^2$
System 130/90 for $E_p \leq 220\text{m}^2$

3

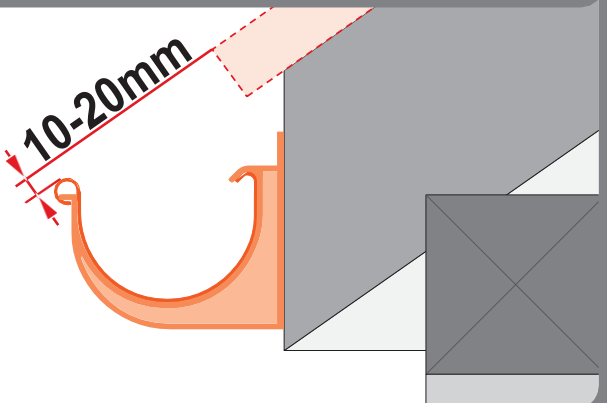
Gutter inclination min 0.3%/1rmt



Hook spacing

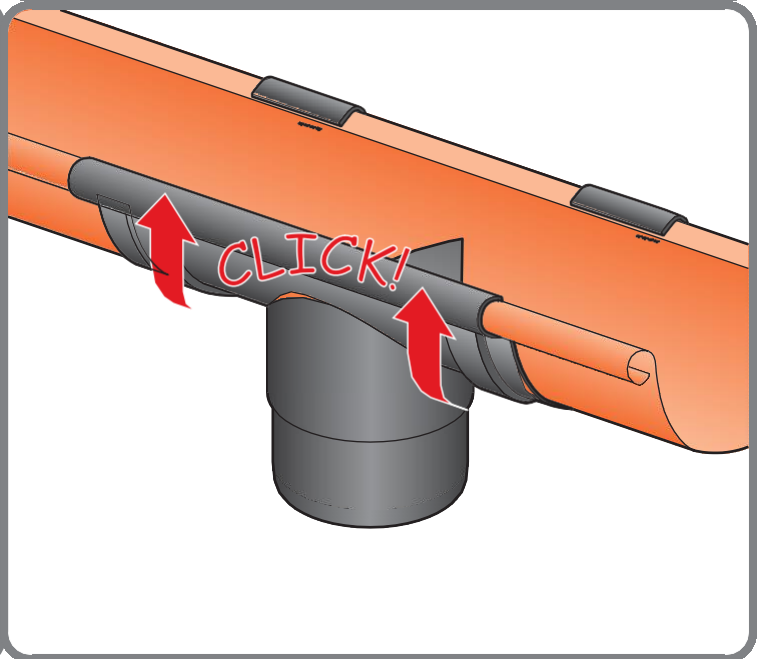
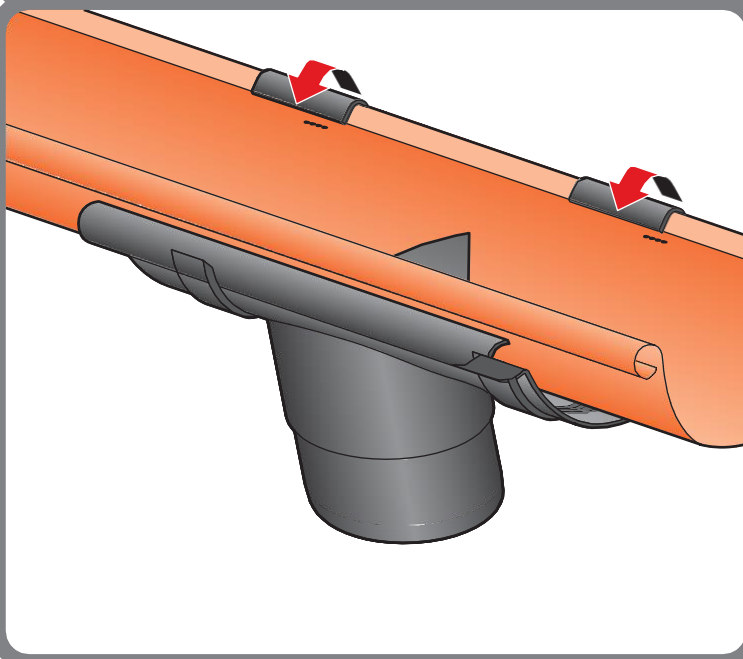
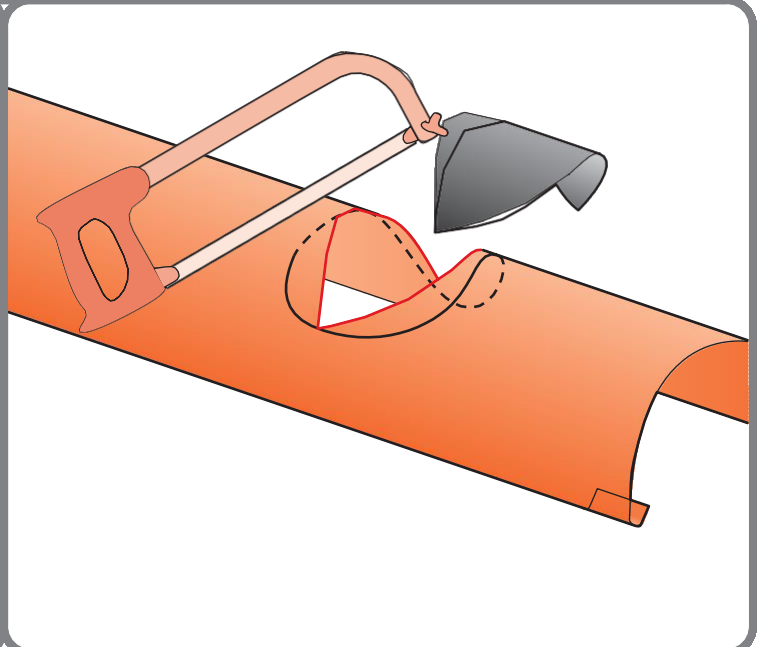
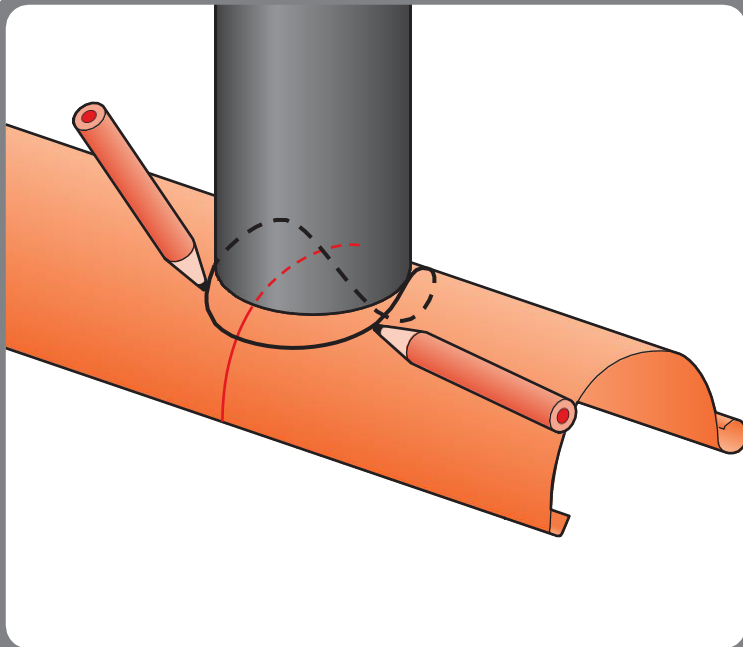
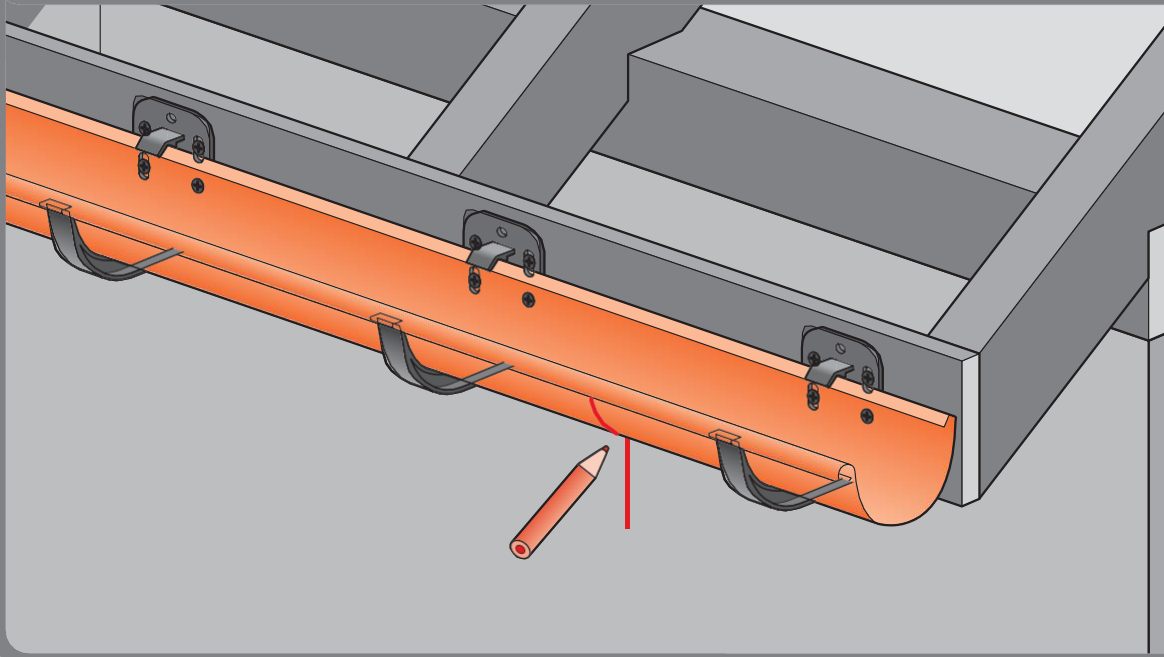


Hook installation at the highest point is recommended



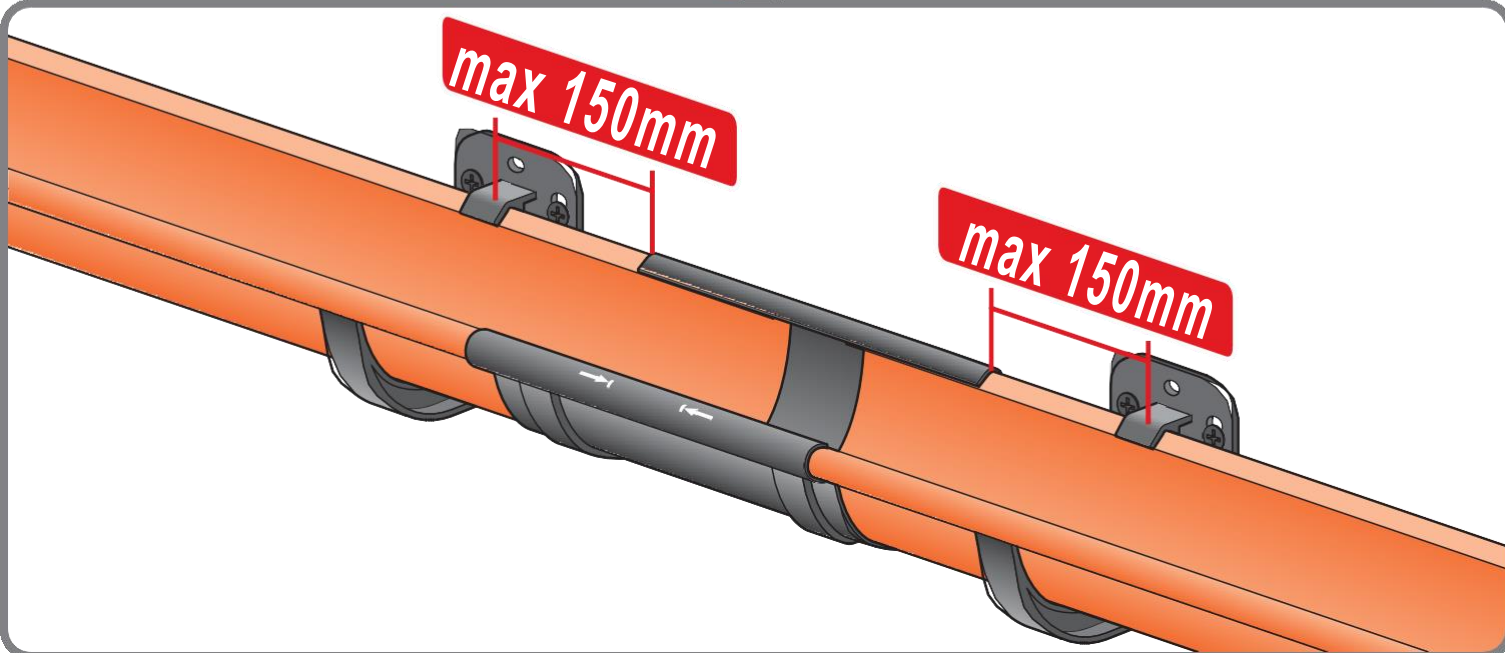
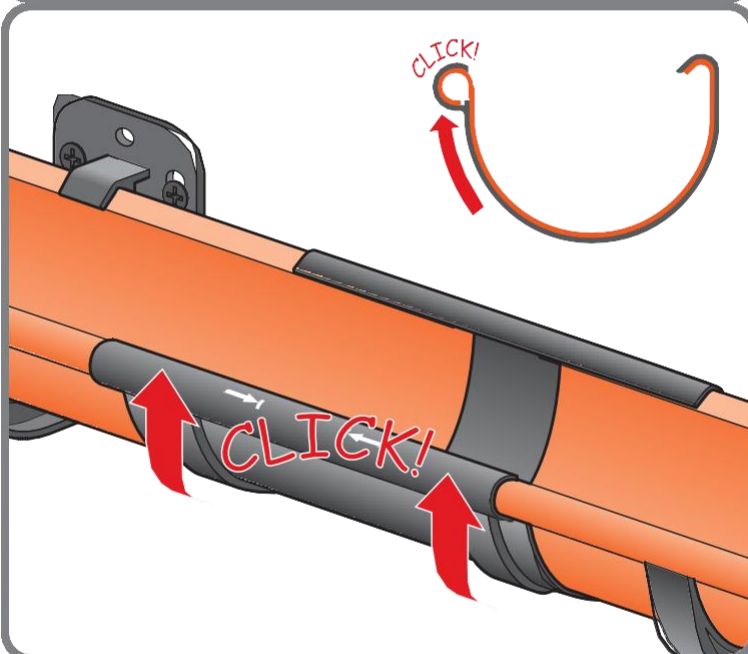
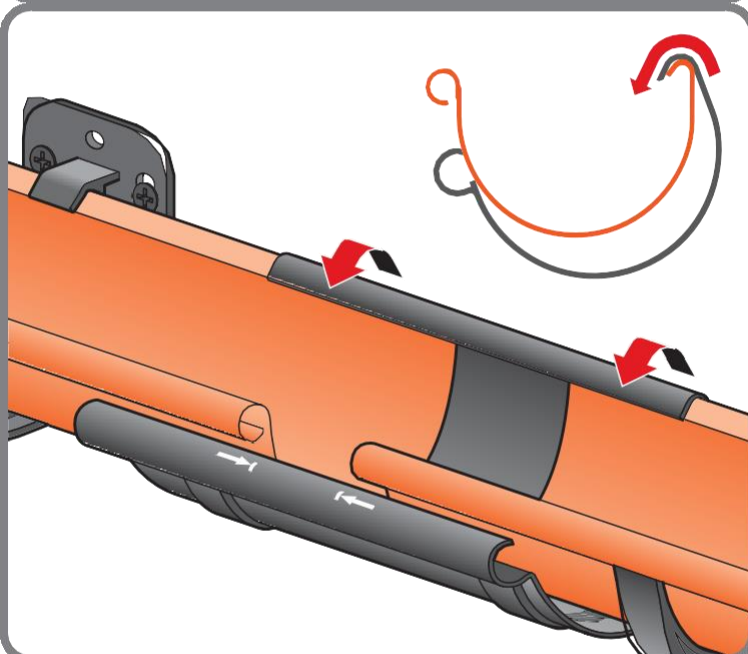
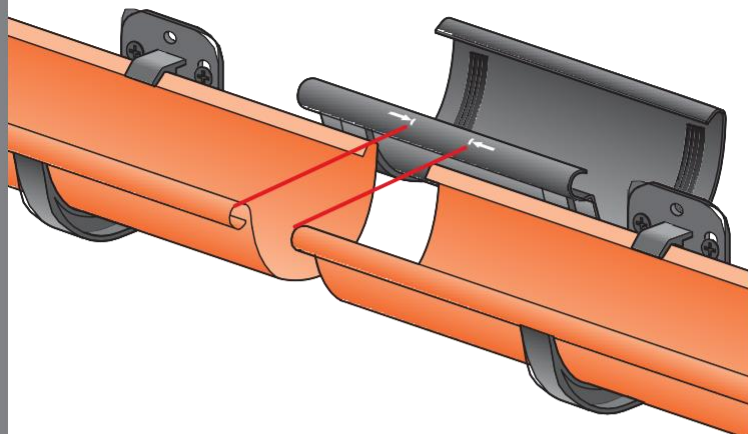
4

Gutter installation



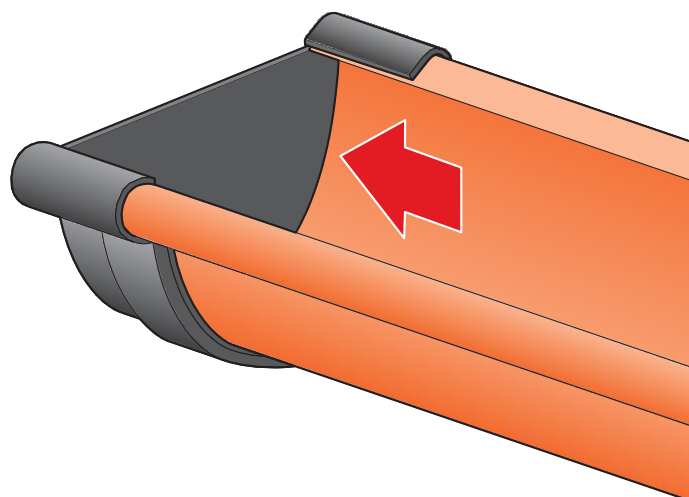
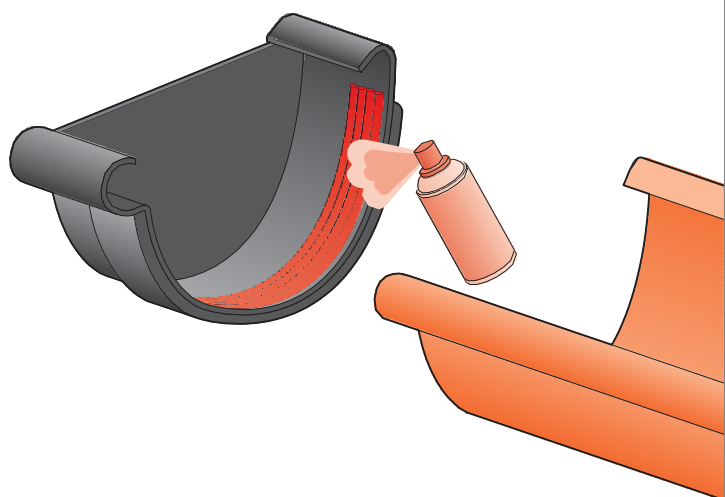
5

Nipple installation



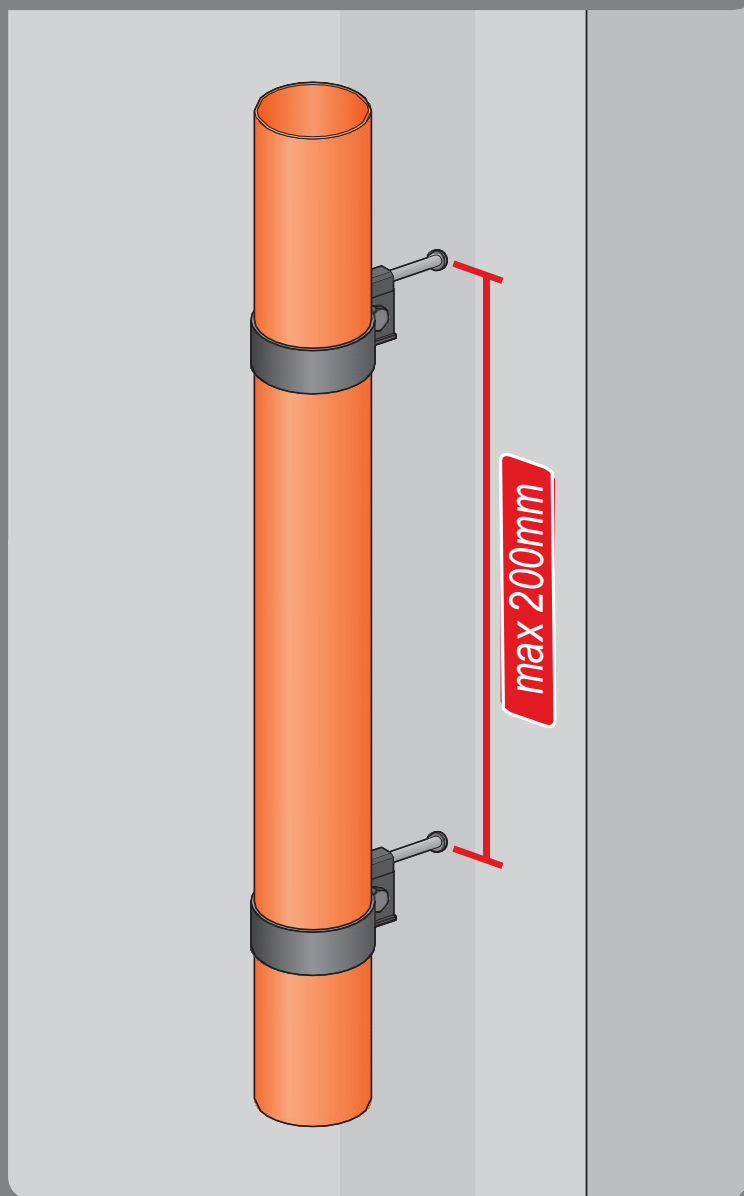
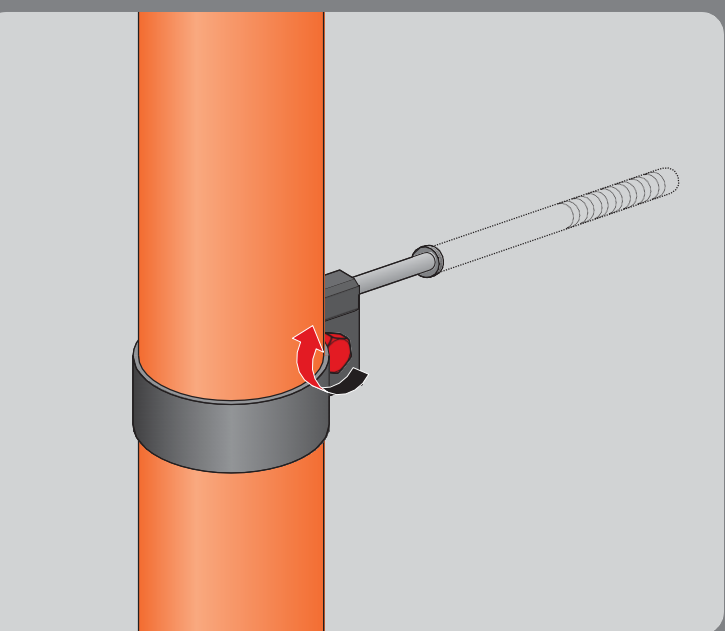
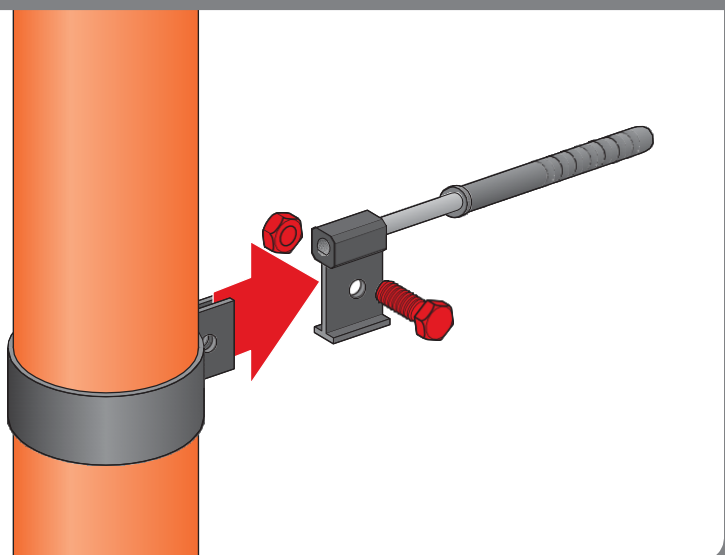
6

Bottom installation

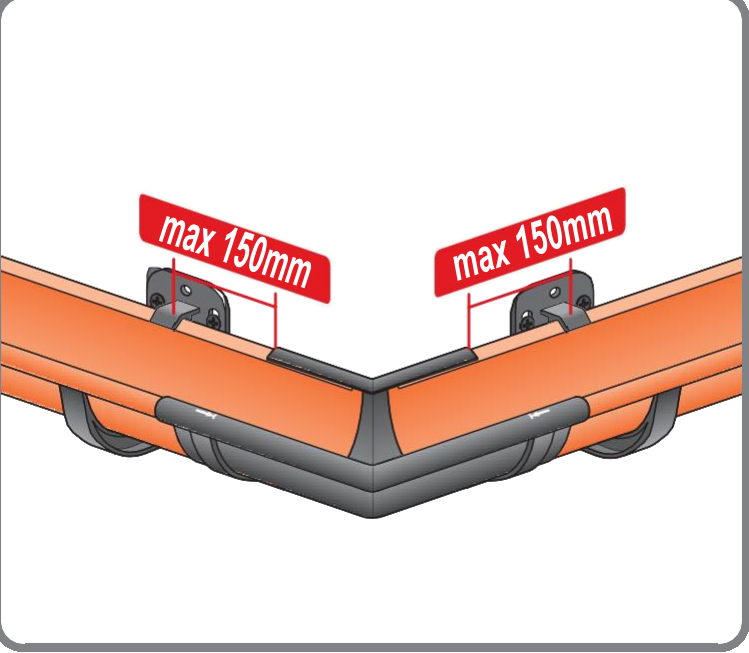
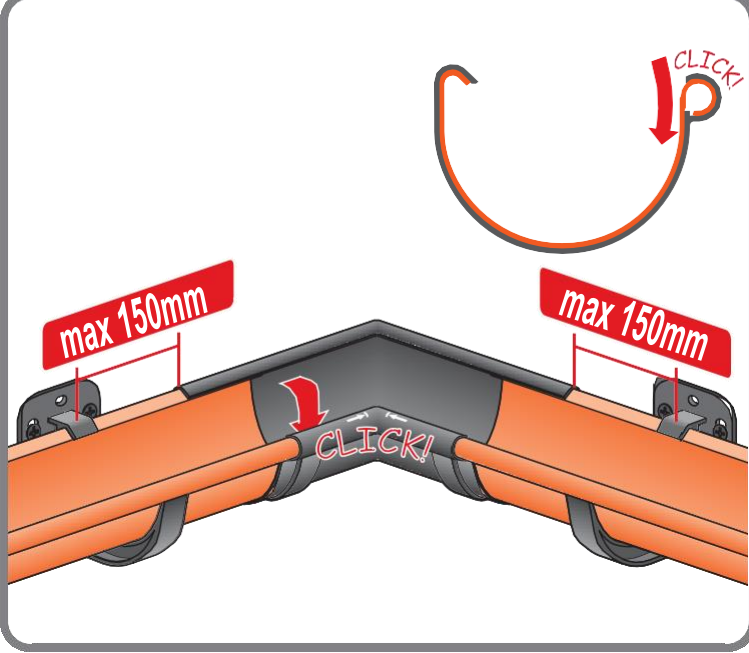
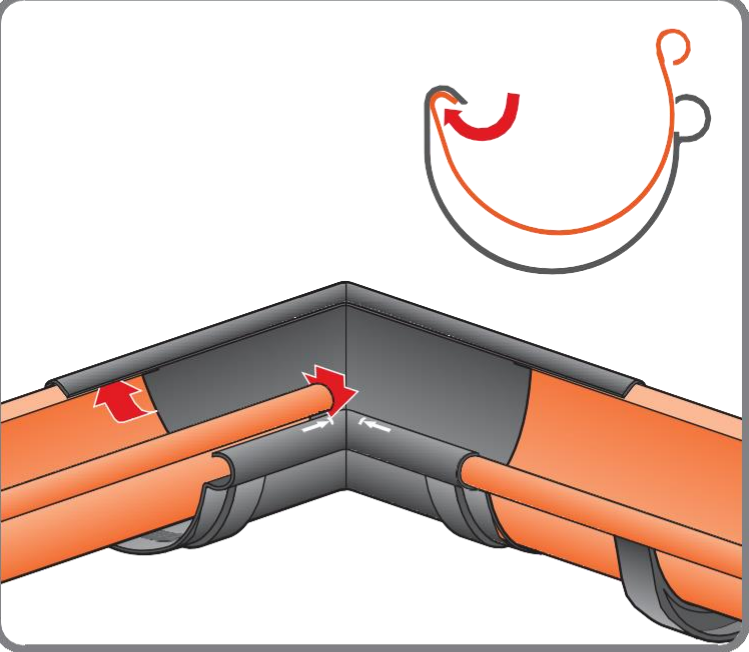
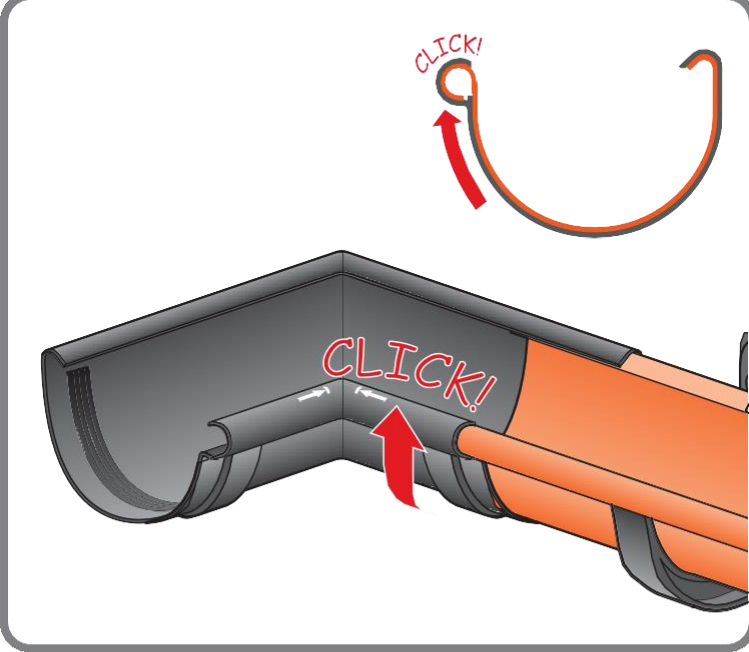
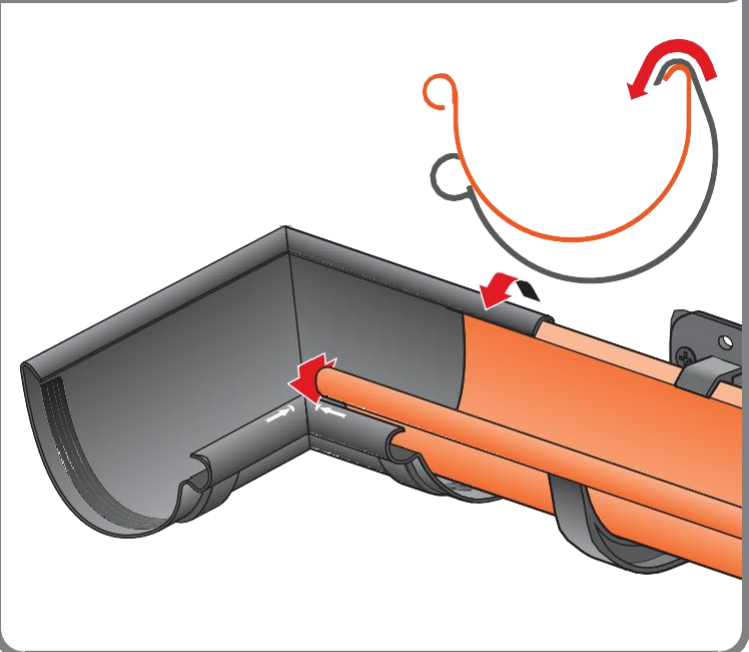
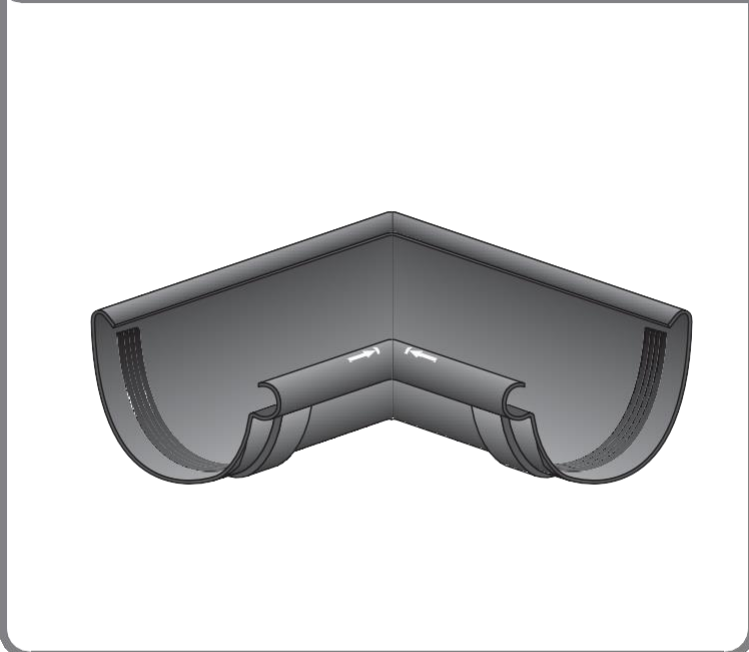


7

Clamp installation

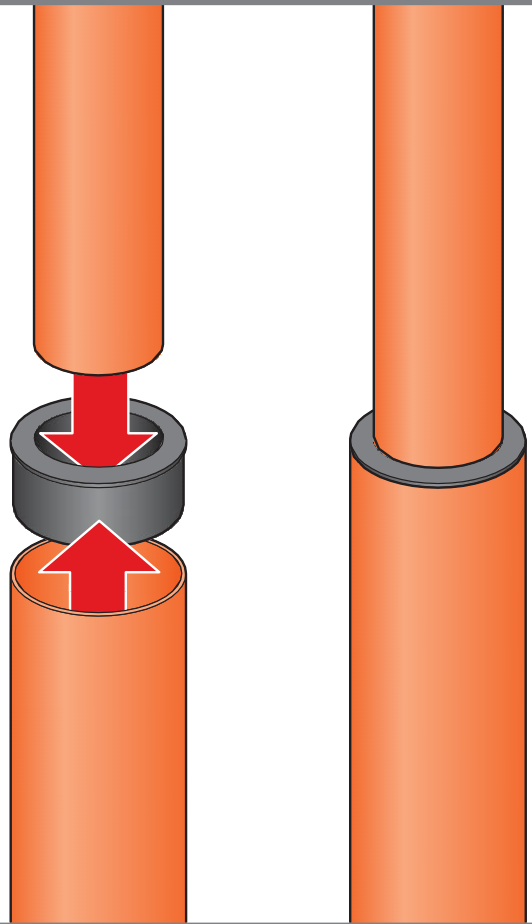
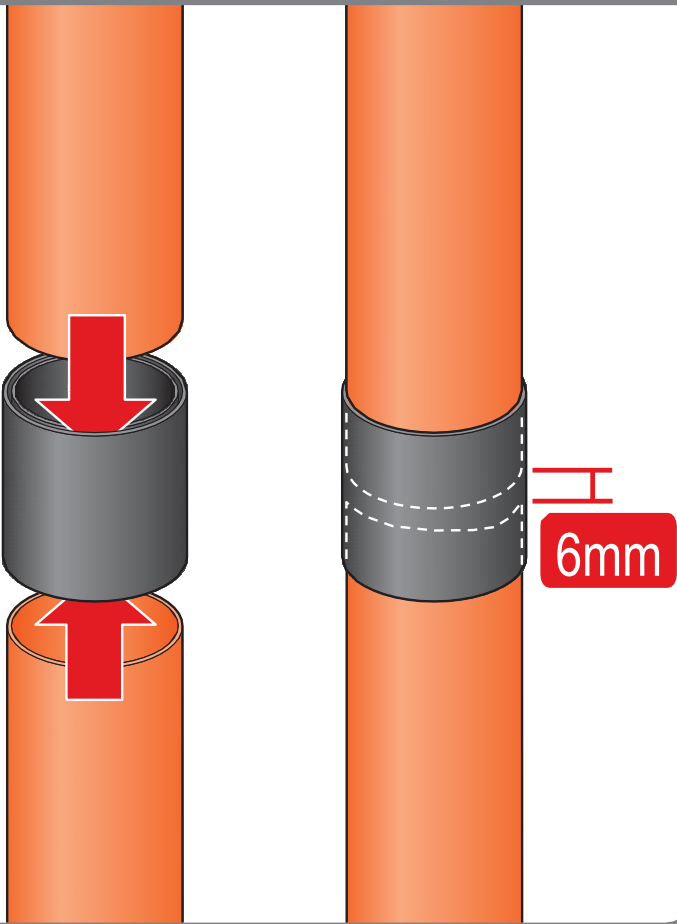


90° corner installation



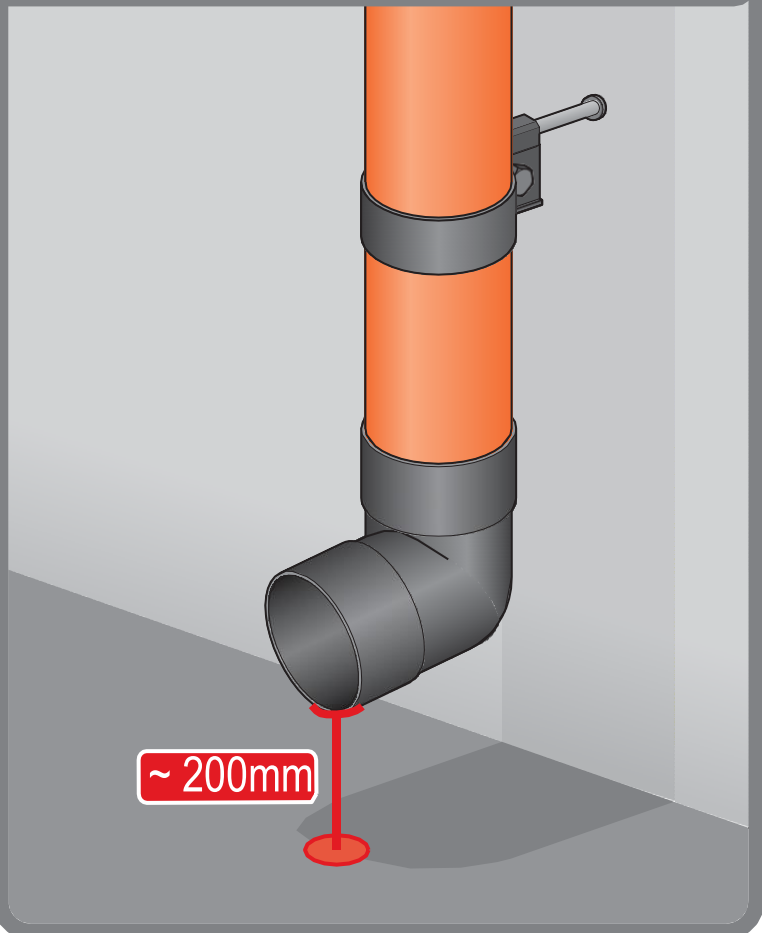
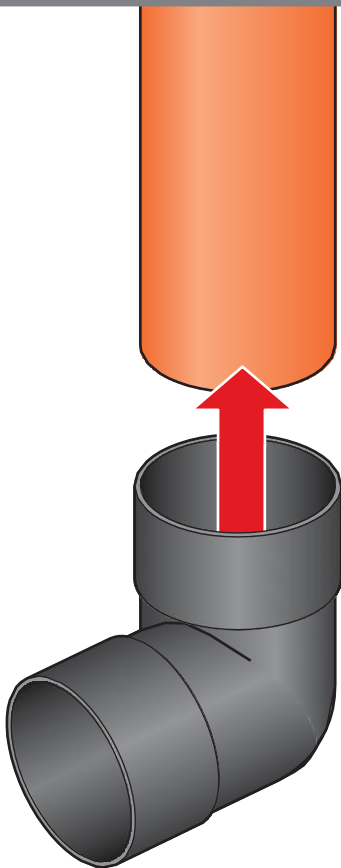
9

Pipe connection



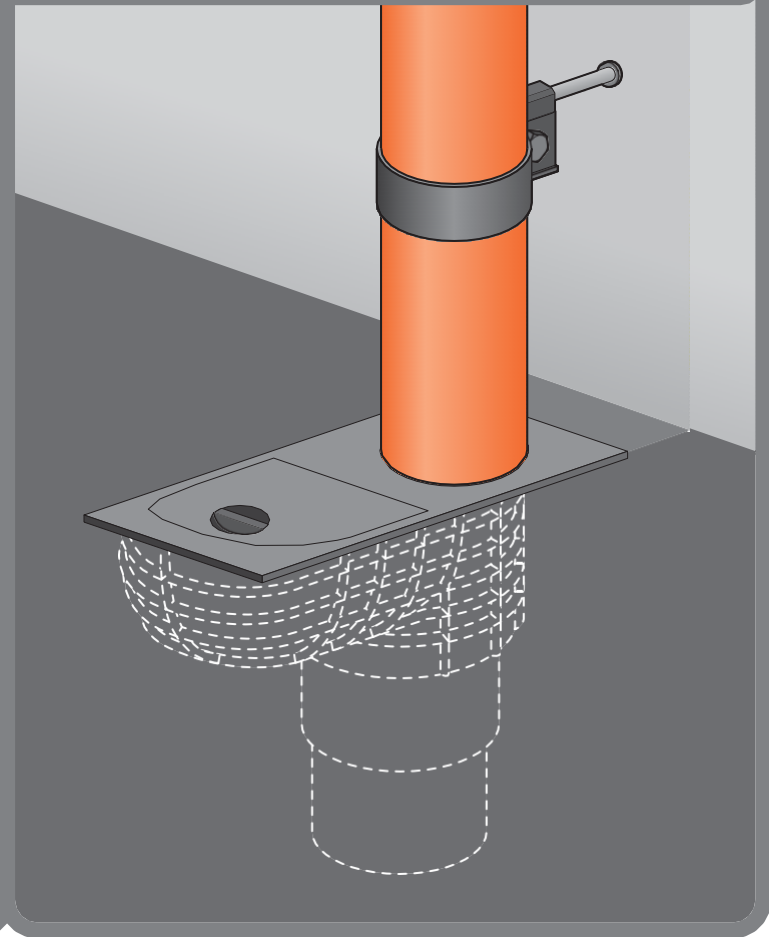
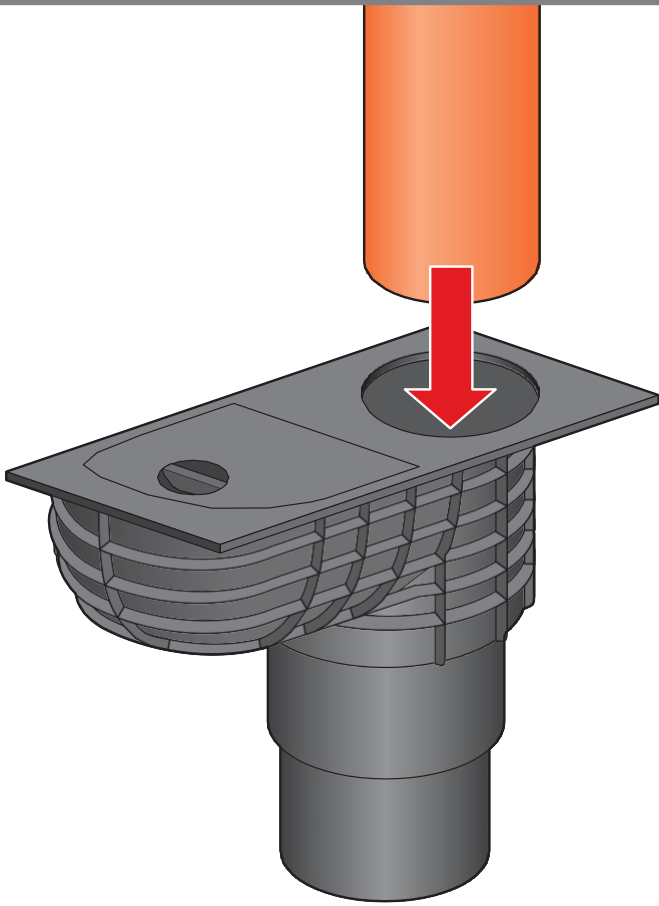
10

Screed installation



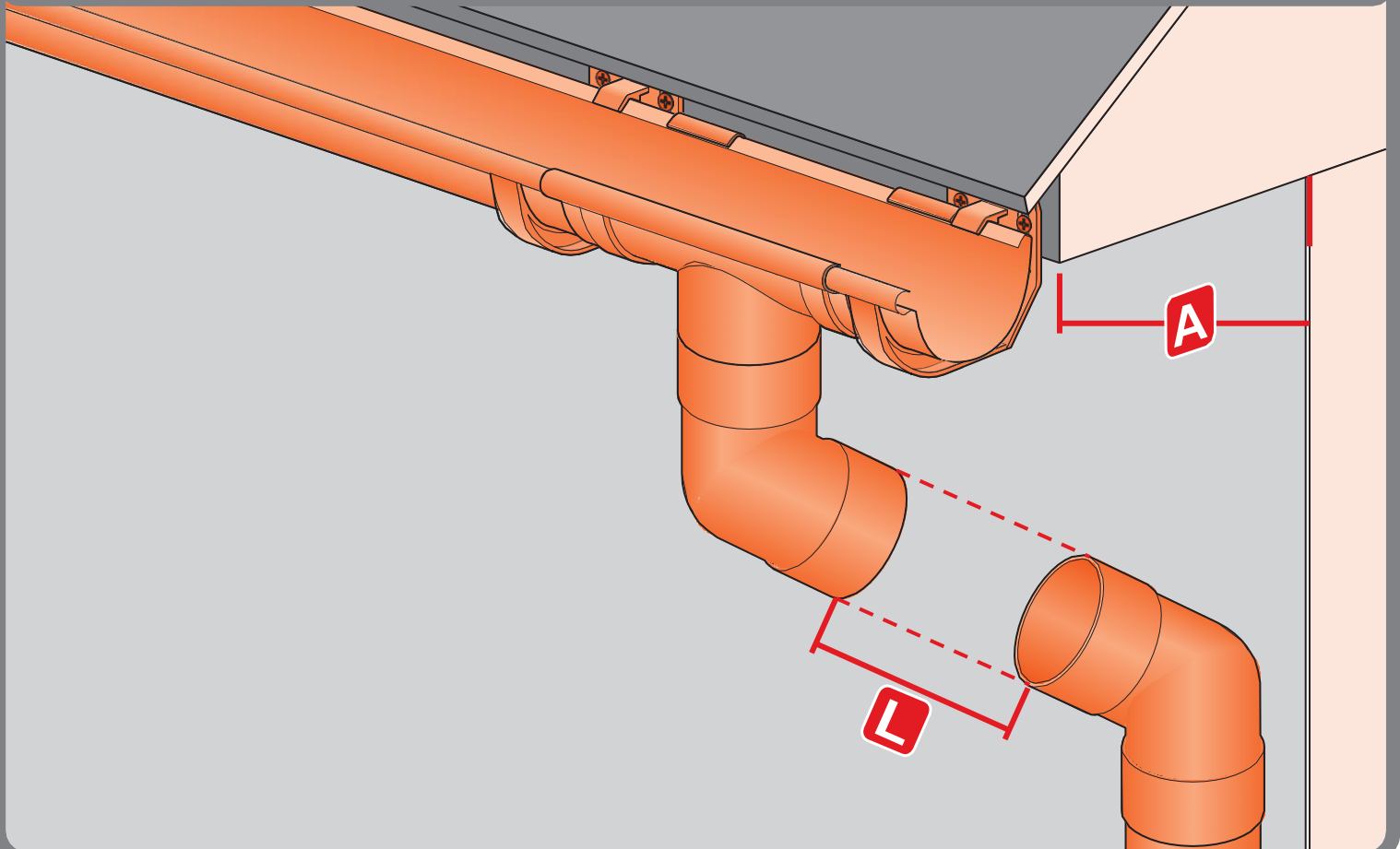
11

Settler installation



12

Cutting the pipe with the hood extended



Blachotrapez Sp. z o.o.
ul. Kilińskiego 49a,
34-700 Rabka-Zdrój
PRODUCTION PLANT
Polanka 323,
32-400 Myślenice, Polska
www.kropssystem.pl