

## We take a new look at gutters!

STEEL GUTTER SYSTEMS • PVC GUTTER SYSTEMS • SQUARE GUTTER SYSTEM  
HIDDEN GUTTER SYSTEM • PVC ROOF SOFFIT



**KROP**<sup>®</sup>

[WWW.KROPSYSTEM.EU](http://WWW.KROPSYSTEM.EU)



# KROP®

WWW.KROPSYSTEM.EU



GUTTER SYSTEMS

STEEL

## STEEL / Steel AZ gutter systems

SYSTEM  
125/90

SYSTEM  
130/90

SYSTEM  
150/100

SYSTEM  
130/100

SYSTEM  
150/120



GUTTER SYSTEMS

PVC

## PVC gutter systems

SYSTEM  
75/63

SYSTEM  
100/63

SYSTEM  
130/90

SYSTEM  
100/90



SQUARE GUTTER SYSTEM

PVC

## PVC SQUARE gutter system

NEW!  
SYSTEM  
135/80x80



HIDDEN GUTTER SYSTEM

STEEL/PVC

## PVC / STEEL gutter system

SYSTEM  
SRU



SOFFIT SYSTEM

PVC

## PVC roof soffit

SOFFIT  
WOOD-LIKE

SOFFIT  
TRADITIONAL

SYSTEM  
125/90

SYSTEM  
130/90

SYSTEM  
130/100

SYSTEM  
150/100

SYSTEM  
150/120



RED  
(RAL 3009)



BLACK  
(RAL 9005)



BRICK-RED  
(RAL 8004)



LIGHT BROWN  
(RAL 8017)



CHOCOLATE  
BROWN  
(RAL 8018)



DARK BROWN  
(RAL 8019)



GRAPHITE  
(RAL 7016)



METALLIC  
ANTHRACITE  
(RAL 9007)



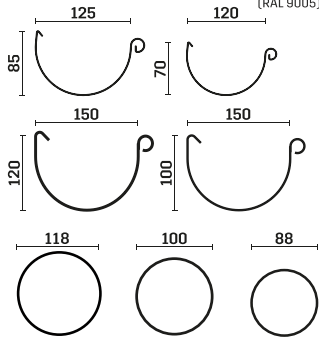
AZ  
ALUZINC



BLACK  
(RAL 9005)



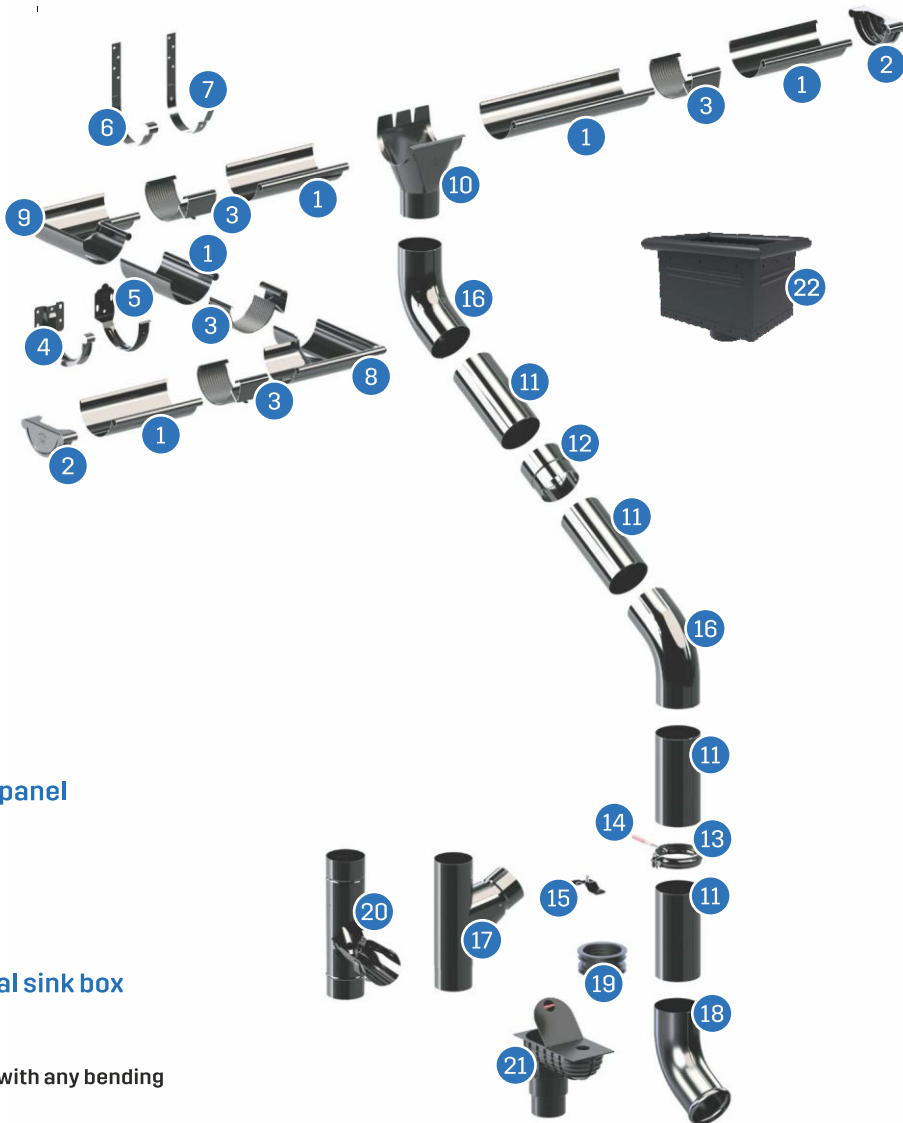
GRAPHITE  
(RAL 7016)



1. Gutter
2. Universal bottom
3. Gutter connector
4. Butt hook
5. Butt hook of flat stock
6. Rafter hook
7. BB rafter hook
8. 90° External angle \*
9. 90° Internal angle\*
10. Drain funnel
11. Tube
12. Pipe joint
13. Pipe clamp
14. Clamp dowel
15. Clamp mounting to a layered panel
16. Elbow
17. Branch
18. Shoe
19. 90/110 Rubber reducer
20. Rainwater collector
21. Sedimentation tank/Universal sink box
22. Outlet basket

\* On special request, we make angles with any bending angle starting from 80°

STEEL



# STEEL gutter systems

■ UP TO 40 YEARS OF WARRANTY



KROP®

GUTTER SYSTEMS

STEEL



**UP TO 40 YEARS OF WARRANTY**

Product with proven performance characteristics.



**MECHANICAL RESISTANCE**

Based on tests and analyses, the product features very high resistance to mechanical damage.



**HIGH DURABILITY**

A very high quality material ensuring high resistance to mechanical damage and scratching.



**EASY INSTALLATION**

The system designed with attention to detail enables quick and efficient installation. The solution has been designed in cooperation with roofers.



**PROTECTIVE LAYERS**

A steel gutter has four protective layers ensuring higher resistance to adverse weather conditions and resistance to mechanical damage.



**VERSATILITY**

Fits all types of roofing.



**CORROSION RESISTANCE**

Thanks to the use of top quality steel and protective layers, the system features very high corrosion-resistance.



**HIGH RESILIENCE**

Resistant to deformation under external conditions.

SYSTEM  
75/63

SYSTEM  
100/63

SYSTEM \*  
100/90

SYSTEM \*\*  
130/90



BLACK  
(RAL 9005)



DARK BROWN  
(RAL 8019)



LIGHT BROWN  
(RAL 8017)



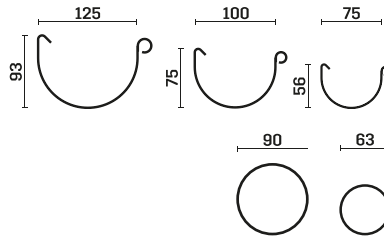
GRAPHITE  
(RAL 7016)



WHITE  
(RAL 9010)  
\* 100/90  
\*\* 130/90

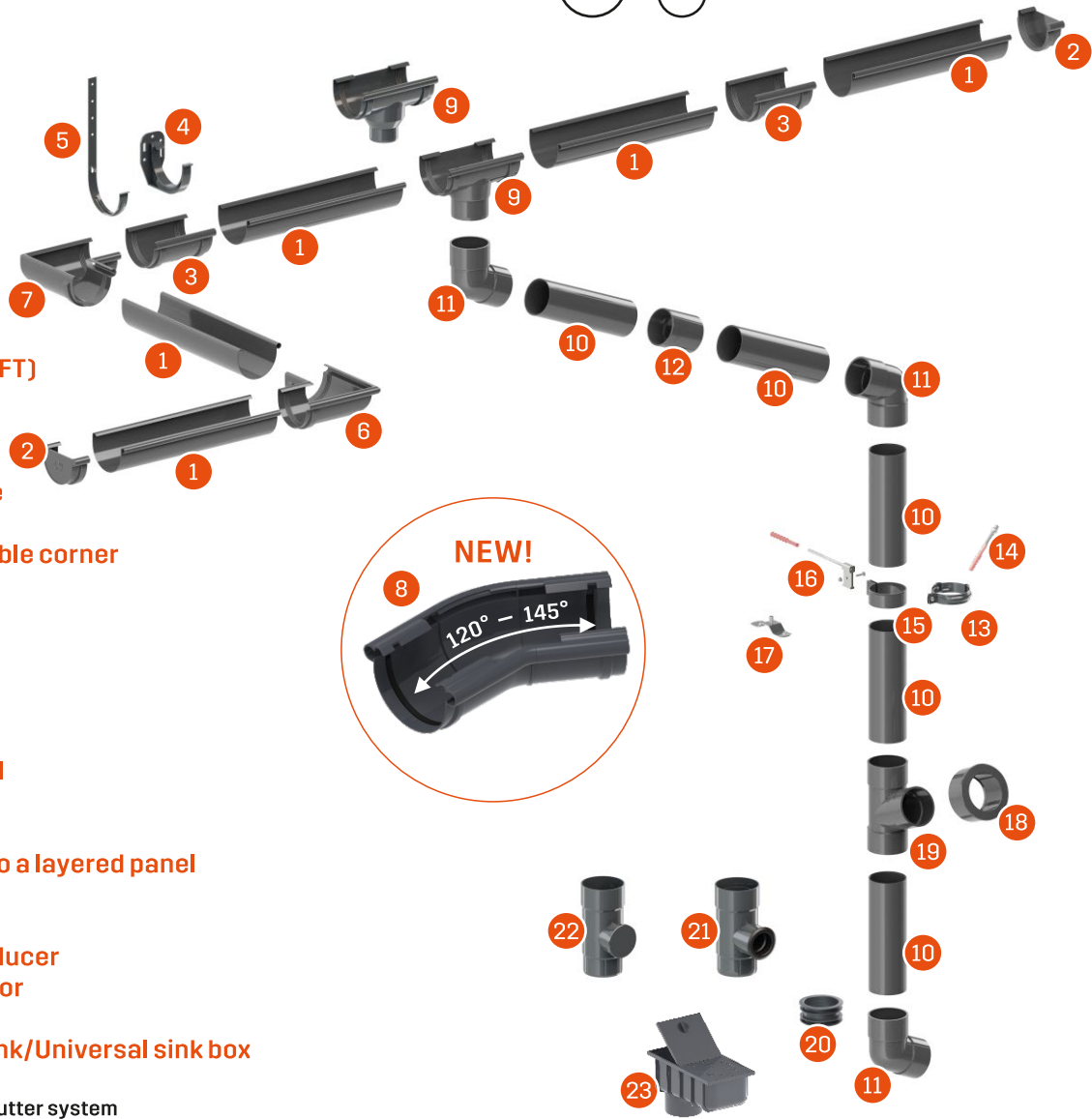


RED  
(RAL 3011)  
\* 100/90  
\*\* 130/90



PVC

1. Gutter
2. Bottom (RIGHT/LEFT)
3. Gutter connector
4. Butt hook
5. Rafter hook
6. 90° External angle
7. 90° Internal angle
8. Universal adjustable corner 120°-145°\*
9. Drain funnel
10. Tube
11. Elbow
12. Pipe joint
13. Pipe steel clamp
14. Steel clamp dowel
15. Pipe PVC clamp
16. PVC Clamp dowel
17. Clamp mounting to a layered panel
18. 90/63 Reducer
19. Branch
20. 90/110 Rubber reducer
21. Rainwater collector
22. Revision
23. Sedimentation tank/Universal sink box



\* 130 KROP PVC gutter system

# PVC gutter systems

20-YEAR WARRANTY



KROP®

GUTTER SYSTEMS

PVC

PVC

## ADVANTAGES OF KROP PVC



### 20-YEAR WARRANTY

Product with proven performance characteristics. It is one of the longest guarantee periods available on the market.



### PERFECT WATER-TIGHTNESS

A special multi-lip seal, developed in cooperation roofers, ensures reliability regardless of the weather.



### LIGHTWEIGHT AND EASY TO INSTALL

Lightweight material does not strain the structure while innovative system components additionally make installation easier.



### RESISTANT TO UV RADIATION

Retains durable colour for years.



### ENVIRONMENTALLY-FRIENDLY

The material can be recycled and reused.



### EFFICIENCY

Excellent value for money.



### HIGH DURABILITY

A very high quality material ensuring high resistance to mechanical damage and scratching.



### PRO-ENVIRONMENTAL DESIGN

Manufacturing in the spirit of LESS WASTE is an environmentally friendly process.



RAL 7016  
GRAPHITE



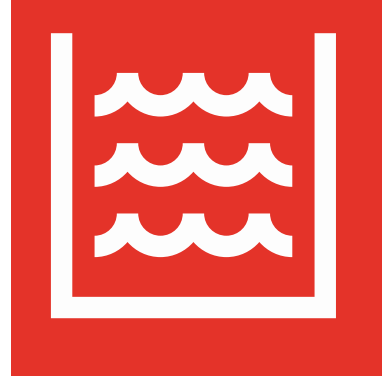
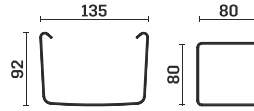
RAL 9005  
BLACK



RAL 9010  
WHITE

NEW!  
SYSTEM

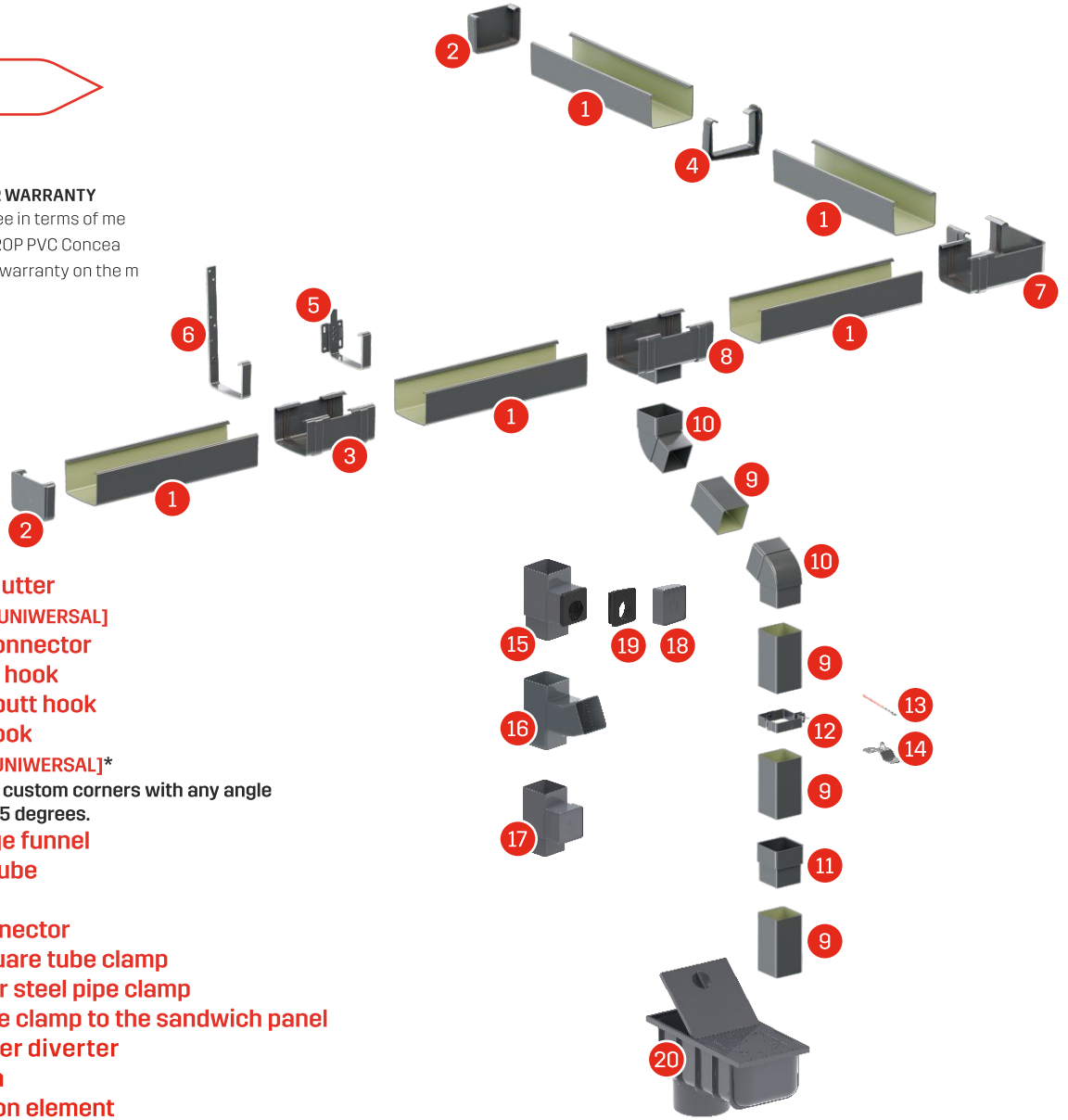
135/80x80



PVC



**30-YEAR WARRANTY**  
guarantee in terms of me  
of the KROP PVC Conce  
Longest warranty on the m



1. Square gutter
2. Bottom [UNIWERSAL]
3. Gutter connector
4. PVC butt hook
5. Flat bar butt hook
6. Rafter hook
7. Corner [UNIWERSAL]\*  
\* We make custom corners with any angle from 50-135 degrees.
8. Discharge funnel
9. Square tube
10. Elbow
11. Pipe connector
12. Steel square tube clamp
13. Dowel for steel pipe clamp
14. Fixing the clamp to the sandwich panel
15. Rainwater diverter
16. Y-Branch
17. Inspection element
18. Stopper with a seal
19. Rubber reducer 80x80/50
20. Sedimentation tank/Universal sink box

# A friendly system for modern houses

## ■ SQUARE GUTTER SYSTEM



# KROP®

SQUARE GUTTER SYSTEM

PVC

PVC

## ADVANTAGES OF THE KROP SQUARE GUTTER SYSTEM



### SYMMETRICAL GUTTER

The symmetrical shape of the gutter makes installation of long elements simple and efficient.

### LIGHTWEIGHT AND EASY TO INSTALL

The simple and lightweight form of the system makes work on the roof faster and easier.

### SYMMETRICAL 2-IN-1 FITTINGS

The symmetrical gutter fittings ensure intuitive installation of the system.

### SIMPLE DESIGN

Perfectly integrated into the body of the building - this is an aesthetic finish to the roof.

### SUPPORTING ELEMENTS MADE OF STEEL

They ensure high stability of the gutter system.

### RECYCLING

The recycling mix is a thoughtful strategy of the KROP brand's environmental activity.

### HIGH PERFORMANCE

The 135/80x80 square system provides efficient water collection.

### PRO-ENVIRONMENTAL DESIGN

Manufacturing in the spirit of LESS WASTE is an environmentally friendly process.

### PERFECT TIGHTNESS

A specially selected gasket guarantees high tightness during heavy rainfall.

### LONGEST WARRANTY ON THE MARKET

**30 YEARS** - guarantee in terms of mechanical durability of the KROP PVC Concealed Gutter System.

### PERFECT FINISH

The perfect fit of the components ensures easy installation.

### READY-MADE PACKAGE OF MATERIALS FOR THE ARCHITECT

A complete library of CAD drawings.  
**DOWNLOAD: [WWW.KROPSYSTEM.EU](http://WWW.KROPSYSTEM.EU)**

CLICK

CAD





RAL 7016  
GRAPHITE



RAL 9005  
BLACK

SYSTEM

SRU

REINFORCED FASCIA  
COLORS



UP TO 40 YEARS

Warranty against perforation by rust for  
REINFORCED FASCIA.  
This is the longest warranty on the market.

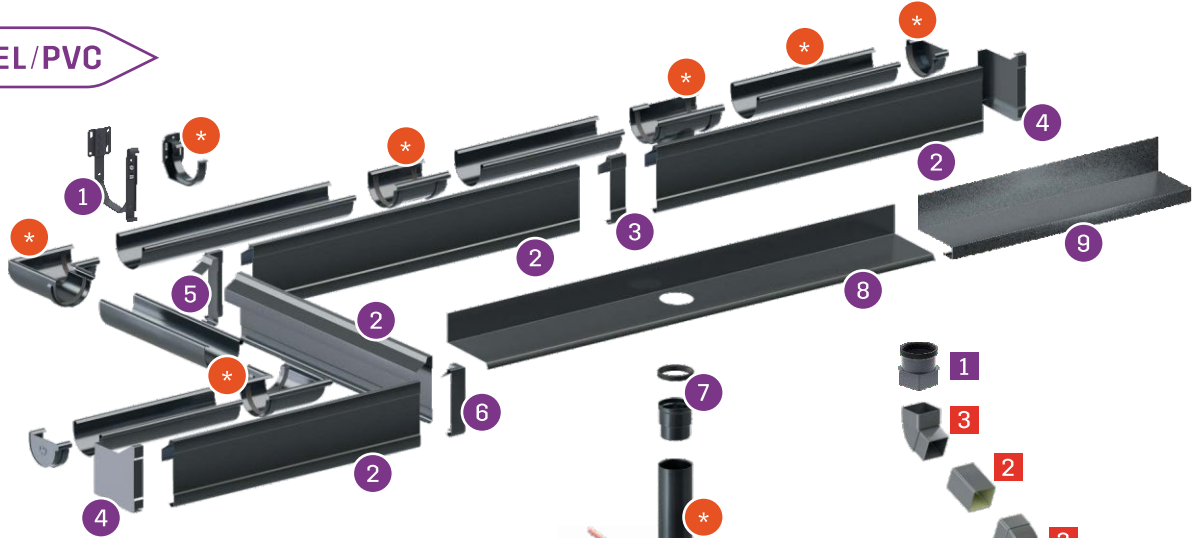


UP TO 10 YEARS

Guarantee of the system water-tightness  
during installation of KROP PVC pipe  
in the facade.



STEEL/PVC

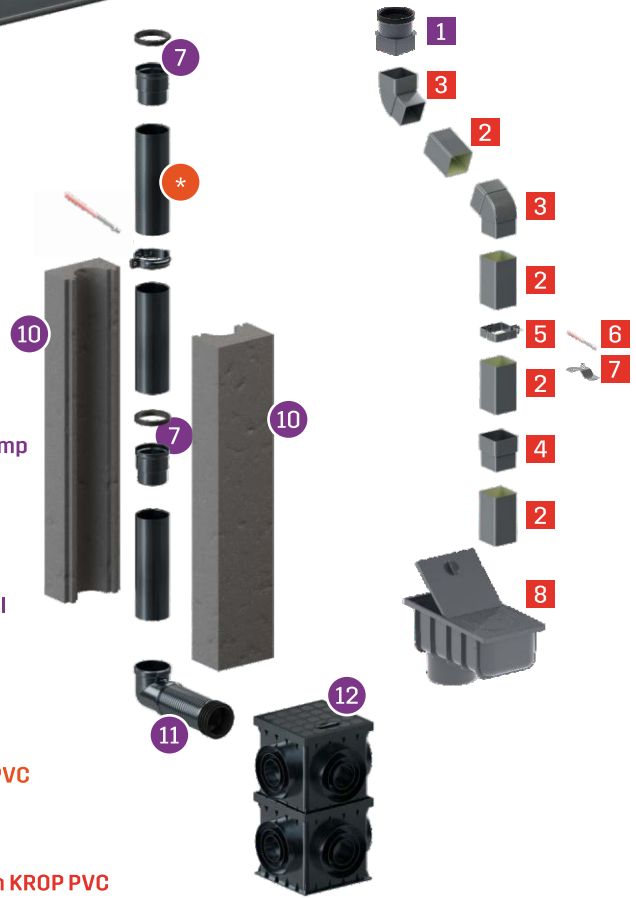


- 1 Adjustable fascia bracket
- 2 Reinforced fascia
- 3 Fascia connector
- 4 Fascia plug (RIGHT/LEFT)
- 5 Inner corner of the fascia
- 6 Outer corner of the fascia
- 7 Pipe connector with gasket
- 8 Verge trim
- 9 Roof soffit panel
- 10 Downpipe insulation
- 11 Flexible elbow
- 12 Inspection pit

- 1 Adapter 90 / 80x80 (FOR SQUARE TUBE)
- 2 Square tube
- 3 Elbow
- 4 Pipe connector
- 5 Steel square tube clamp
- 6 Dowel for steel pipe clamp
- 7 Fixing the clamp to the sandwich panel
- 8 Settling tank

\* Gutter system KROP PVC  
130/90

■ Square Gutter System KROP PVC  
135/80x80



# Traditional craftsmanship in a modern form

■ HIDDEN GUTTER SYSTEM



## KROP®

HIDDEN GUTTER SYSTEM

STEEL/PVC



#### THE SIMPLEST INSTALLATION OF A HIDDEN GUTTER SYSTEM ON THE MARKET

Developed with master roofers and based on their best practices.

Special calculator for easy installation: [WWW.KROPSYSTEM.EU](http://WWW.KROPSYSTEM.EU)



#### VENTILATION GAP

It allows to maintain proper roof ventilation, thanks to the vertical adjustment of the fascia on the bracket.



#### ADJUSTABLE FASCIA BRACKET

It ensures the installation and leveling of the fascia regardless of the slope of the gutter system.



#### PERFECT WATER-TIGHTNESS

The proven solution for sealing and connecting the gutter to the downpipe (pipe connector with gasket), eliminates the risk of leakage in the system.



#### AESTHETIC REINFORCED FASCIA WITH THICKNESS OF 0.7 MM

Adjusted to the latest trends of houses without eaves. The specially designed profile of the reinforced fascia ensures that there is no ripple effect.



#### LONGEST WARRANTY ON THE MARKET

**UP TO 40 YEARS** – warranty against perforation by rust for REINFORCED FASCIA.

**20 YEARS** – mechanical durability warranty for KROP PVC.

**UP TO 10 YEARS** – guarantee of the system water-tightness during installation of KROP PVC pipe in the facade.



#### CLASSICAL INSTALLATION ACCORDING TO THE ART OF ROOFING

Thanks to the use of a proven profile of KROP semi-circular gutter, the installation of the system runs smoothly and according to known roofing standards.



#### PROVEN PERFORMANCE

Using a classic KROP gutter system ensures efficient rainwater drainage.



#### FASCIA PROFILE WITH SPECIAL PROTECTION

It prevents precipitation from entering between the fascia and gutter.



#### READY MATERIAL PACKAGE FOR ARCHITECT

A complete library of CAD drawings ensures that the system may be quickly entered into the design by the architect.



#### ROOF SOFFIT PANEL FOR CLASSIC INSTALLATION IN A HOUSE WITH EAVES

It allows an aesthetic installation of the soffit panel and the downpipe.



#### APPLICATION TO FACILITATE CORRECT INSTALLATION

Special calculator to facilitate correct positioning of the hidden gutter system in relation to the roof plane.

Check out! [WWW.KROPSYSTEM.EU](http://WWW.KROPSYSTEM.EU)

## SOFFIT

### WOOD-LIKE



GOLDEN OAK



NUT



WINCHESTER  
(LIGHT OAK)

## SOFFIT

### TRADITIONAL



BLACK



CHOCOLATE BROWN



GRAPHITE

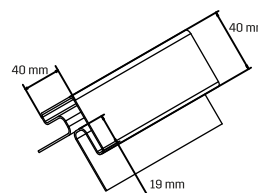
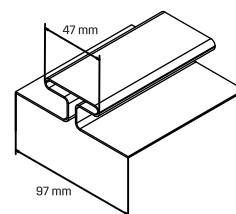
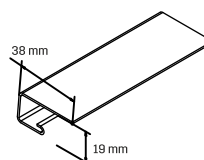
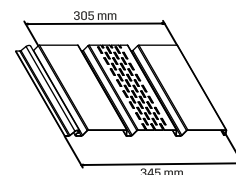
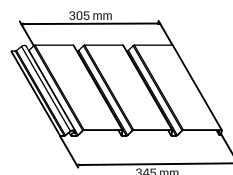


## DIMENSION

### COMPONENT

### PIECES / IN PACKAGING

<b>FULL ROOF SOFFIT</b>	3000 x 305 mm ~ 0,91 m <sup>2</sup> 18 / 16,47 m <sup>2</sup>
<b>PERFORATED ROOF SOFFIT</b>	3000 x 305 mm ~ 0,91 m <sup>2</sup> 18 / 16,47 m <sup>2</sup>
<b>J MOUNTING RAIL</b>	3000 mm 40 / 120 RMT
<b>H MOUNTING RAIL</b>	3000 mm 22 / 66 RMT
<b>EXTERNAL CORNER</b>	3000 mm 12 / 36 RMT



#### AESTHETIC AND EASY TO INSTALL

A set of elements of the SOFFIT system, which enables efficient and aesthetic finishing of any type of roof eaves. The designed system ensures simple and quick assembly, regardless of the selected type of development.



#### LIGHTWEIGHT STRUCTURE AND EFFICIENT INSTALLATION

The low weight of the PVC ROOF SOFFIT system (compared to steel and wooden systems) allows for efficient installation with additional decorative elements, e.g. lighting.



#### DURABILITY AND RESISTANCE

Regardless of the weather conditions, PVC provides an aesthetic appearance, resistance to mould and fungi — without the need for maintenance.



#### IT DOES NOT REQUIRE PAINTING AND MAINTENANCE

PVC retains its colour and board pattern without the need for renovation.

# Details matter — and we know it!

■ PVC ROOF SOFFIT



## KROP®

SOFFIT SYSTEM

PVC

KROP.



## Traditional craftsmanship in a modern form

Production Plant  
Polanka 323, 32-400 Myślenice, Poland  
Phone: +48 12 37 31 666:

Blachotrapez Sp. z o.o.  
ul. Kilińskiego 49a  
34-700 Rabka-Zdrój, Poland

